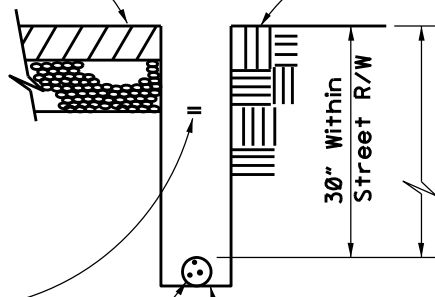


Permanent paved surface
(See Note 4)

Finished grade



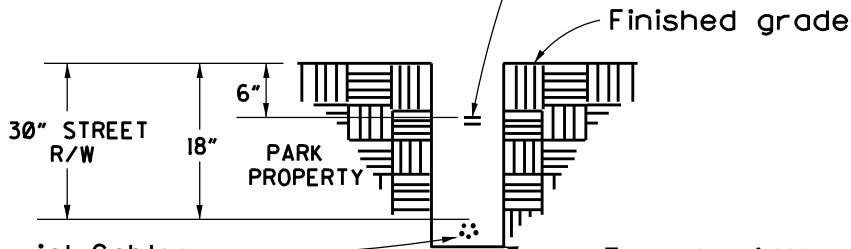
18" for rigid non-metallic conduit approved for direct burial. 24" for direct buried cable within park property.

PVC conduit

Trench width as necessary

HIGH VOLTAGE WIRING (50-600 VOLT)

1/2" wide continuous plastic identification tape



Direct Burial Cables

Trench width as necessary

Tie at 10 foot intervals. Provide expansion coil in each wire at 100 foot intervals and in each pull box and valve box.

LOW VOLTAGE WIRING (0-50 VOLT)

NOTES:

1. Backfill and compact all trenches per Greenbook.
2. Replace paved surfaces per Greenbook.
3. Place low voltage wiring in conduit under paved surfaces.
4. In permanent paved areas within park property, cover may be decreased by 6 inches.
5. All splices shall be weatherproof and located in valve or pull boxes.
6. Conductors shall be spliced or joined with devices suitable for use.

COUNTY OF ORANGE, OC PUBLIC WORKS DEPARTMENT

Approved



Ignacio G. Ochoa, Chief Engineer

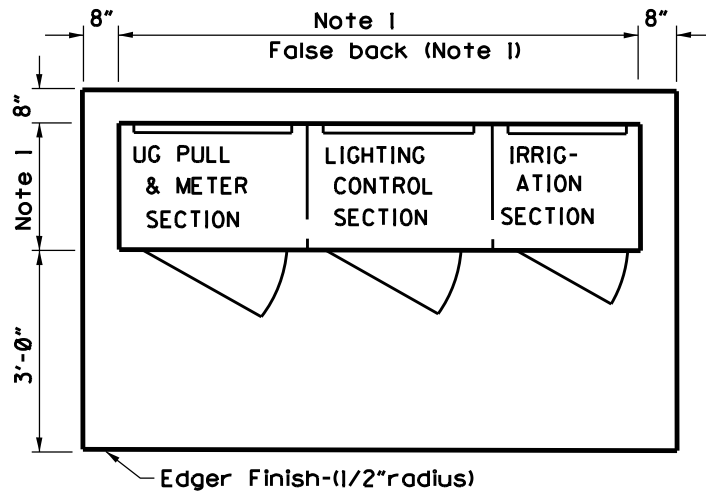
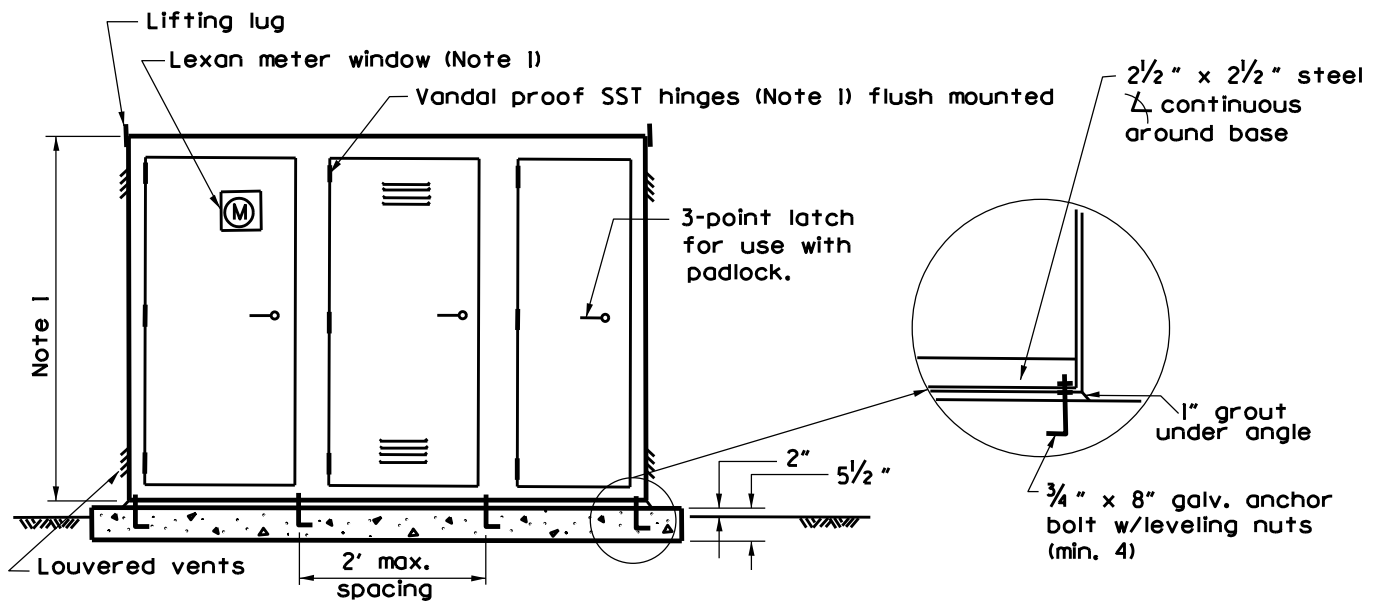
STD. PLAN

1602

Revision: April 2013

BURIED ELECTRICAL WIRING ON PARK PROPERTY

SHT. 1 OF 1



NOTES:

1. Dimensions and details of security enclosure shall be per approved shop drawings.
2. Security enclosure shall be weathertight and of 10 gage galvanized steel all welded construction.
3. Paint inside and outside per Special Provisions. Bottom exterior of cabinet shall be painted with two coats of asphaltic or coal tar epoxy paint. Color shall be dark green or shall match structure.
4. Compact earth to 90 percent relative compaction under slab.
5. Concrete work shall be done in accordance with Standard Plan 1803 and the Greenbook.

COUNTY OF ORANGE, OC PUBLIC WORKS DEPARTMENT

Approved

[Signature]
Ignacio G. Ochoa, Chief Engineer

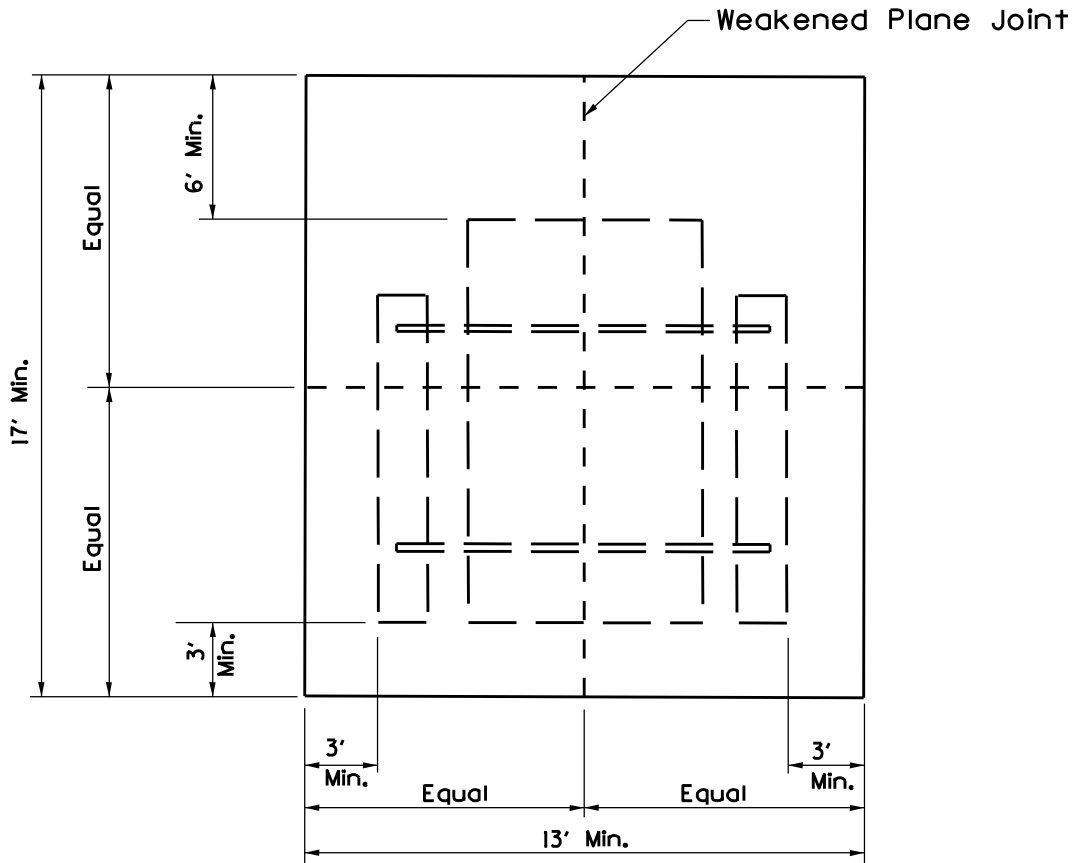
STD. PLAN

1603

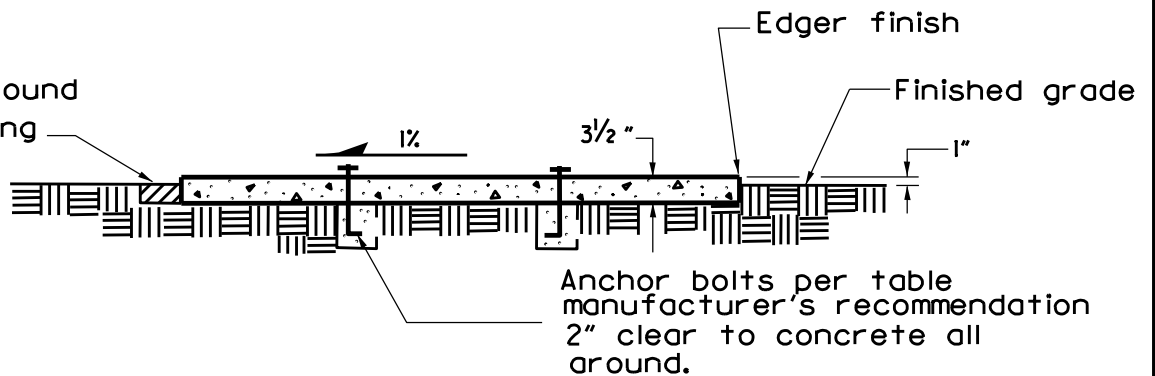
Revision: April 2013

SECURITY ENCLOSURE

SHT. 1 OF 1



Scarify 12" all around prior to replanting

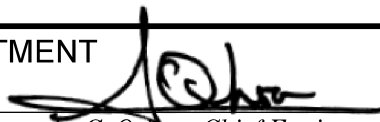


NOTES:

1. Concrete work shall conform to Standard Plan 1803 and strength shall conform to Greenbook 520-C-2500.
2. Light broom finish unless otherwise specified.
3. Picnic Table slab shall be in compliance with ADA requirements where adjacent to pedestrian path of travel.

COUNTY OF ORANGE, OC PUBLIC WORKS DEPARTMENT

Approved


Ignacio G. Ochoa, Chief Engineer

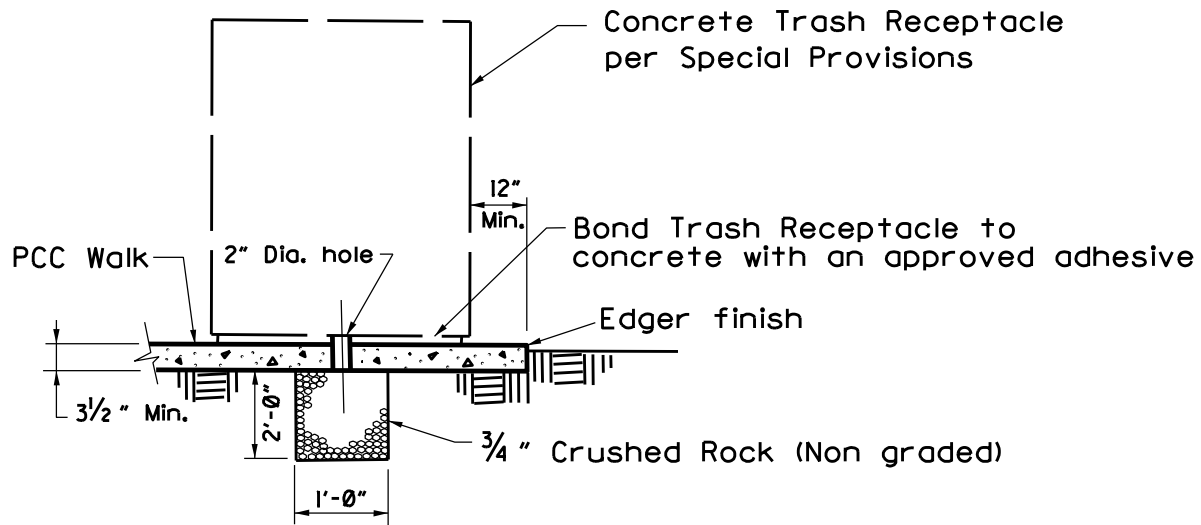
Revision: April 2013

STD. PLAN

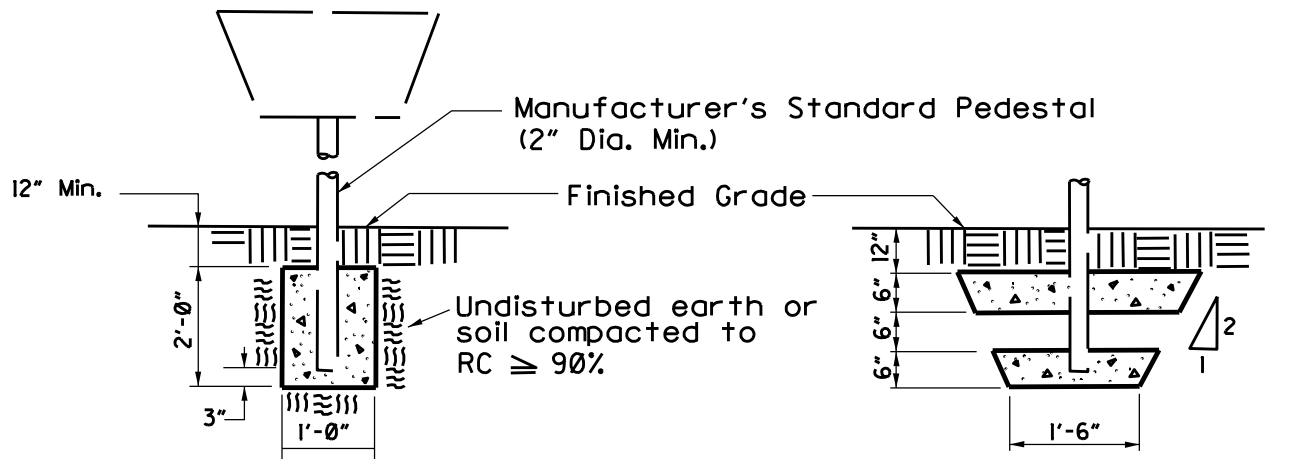
1611

PICNIC TABLE SLAB

SHT. 1 OF 1



CONCRETE MOUNTING



IN COHESIVE SOIL

IN NON-COHESIVE SOIL

PEDESTAL MOUNTING

NOTES:

- Concrete work shall conform to Standard Plan 1803 and strength shall conform to Greenbook 520-C-2500.

COUNTY OF ORANGE, OC PUBLIC WORKS DEPARTMENT

Approved

Ignacio G. Ochoa, Chief Engineer

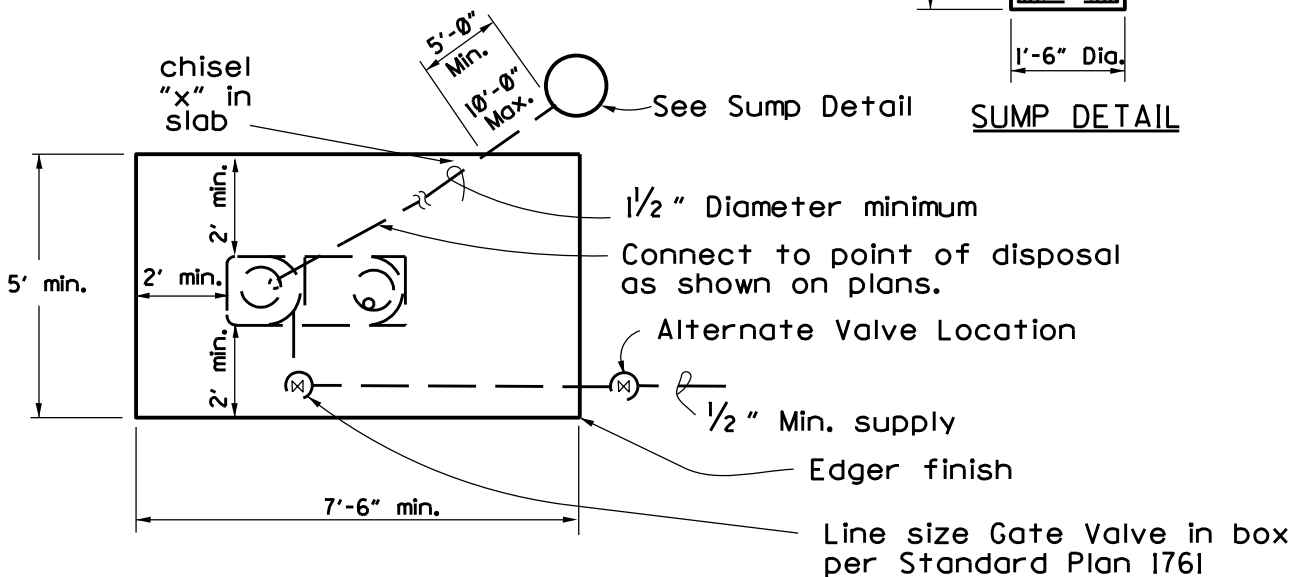
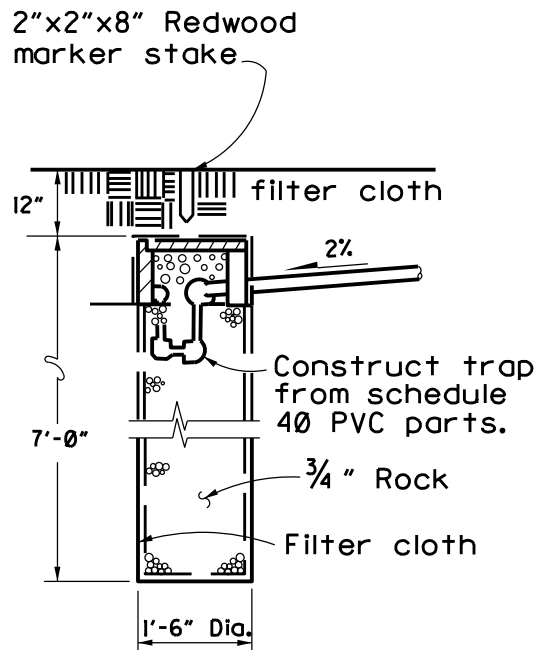
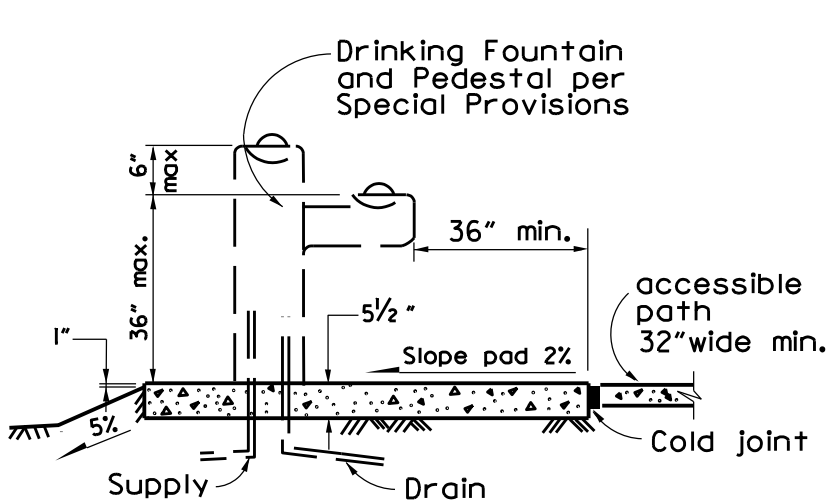
Revision: April 2013

STD. PLAN

1612

TRASH RECEPTACLE INSTALLATION

SHT. 1 OF 1



SUMP DETAIL

NOTES:

1. Concrete work shall conform to Standard Plan 1803 and strength shall conform to Greenbook 520-C-2500.
2. Compact soil to 90 percent relative compaction under slab and above sump per Standard Plan 1801.
3. Filter cloth shall be per Standard Plan 1808.
4. Where a drinking fountain is located within 200 feet of a sewer, the drinking fountain drain shall be connected to the sewer, unless a sump is called for on the approved plans. (See County adapted and amended Plumbing Code for limitations on the use of a sump for overflow drainage).
5. Drinking fountain shall be in compliance with ADA requirements.

COUNTY OF ORANGE, OC PUBLIC WORKS DEPARTMENT

Approved 
Ignacio G. Ochoa, Chief Engineer

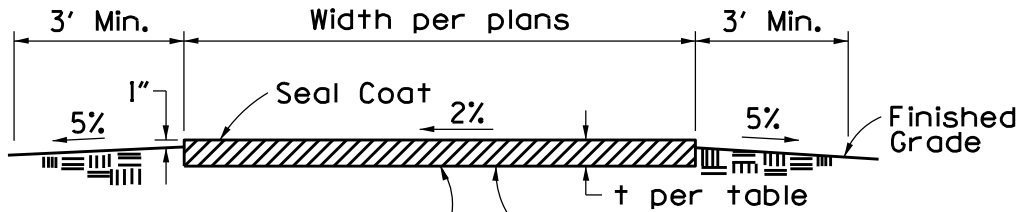
Revision: April 2013

STD. PLAN

1613

DRINKING FOUNTAIN AND SUMP

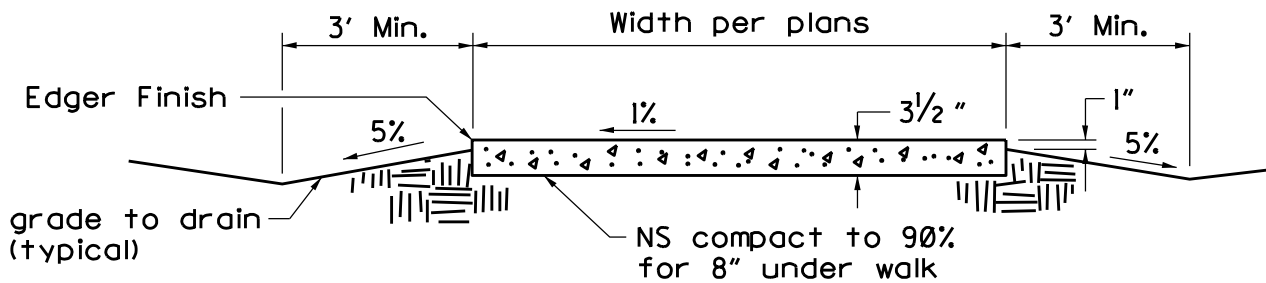
SHT. 1 OF 1



NS compact to 90% relative compaction for 6" under walk
 AC per Standard Plan 1805

Soil R-Value	Section t
< 25	0.35' AC or 0.20' AC/0.35' AB
> 25	0.30' AC or 0.20' AC/0.30' AB

ASPHALT CONCRETE WALK



PORTLAND CEMENT CONCRETE WALK

(Not for Highway use)

NOTES:

1. PCC work shall conform to Standard Plans 1803 and 1205 and the Greenbook.
2. For any vertical obstruction, the minimum horizontal clearance from edge of walk shall be 18 inches.
3. See Standard Plans 1804 and 1805 for base and asphalt concrete material specifications.
4. Place non-migrating soil sterilant under AC.

COUNTY OF ORANGE, OC PUBLIC WORKS DEPARTMENT

Approved


 Ignacio G. Ochoa, Chief Engineer

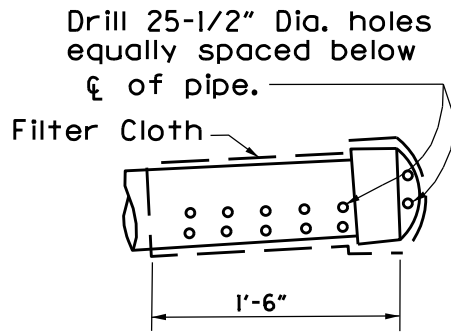
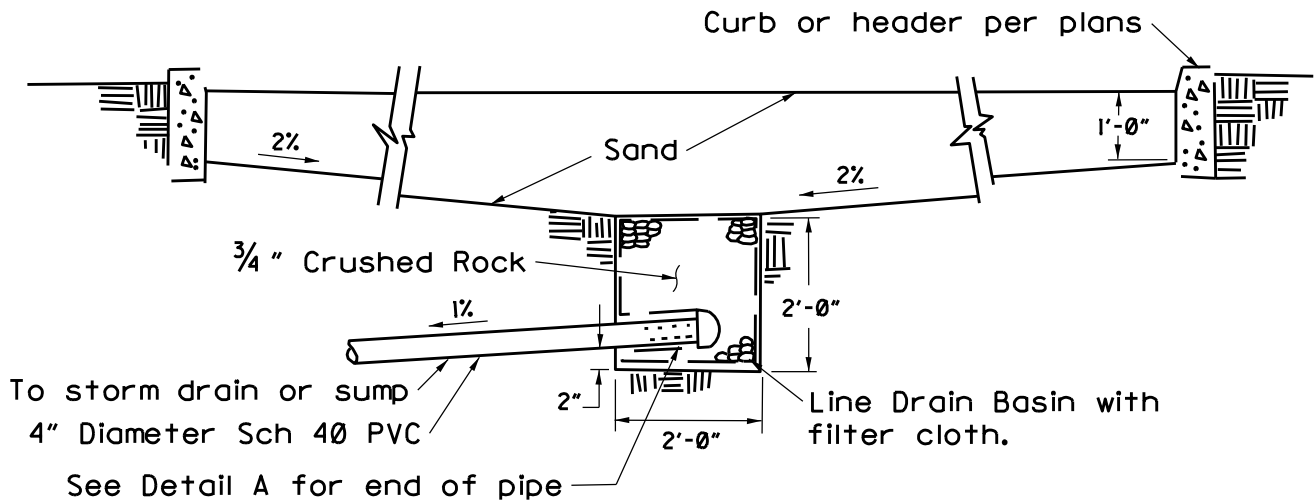
Revision: April 2013

STD. PLAN

1621

ASPHALT AND CONCRETE WALKS

SHT. 1 OF 1



DETAIL A

NOTES:

1. Maximum area served by one drain basin is 2,000 SF.
2. Filter cloth shall be per Std. Plan 1808.

COUNTY OF ORANGE, OC PUBLIC WORKS DEPARTMENT

Approved

Ignacio G. Ochoa, Chief Engineer

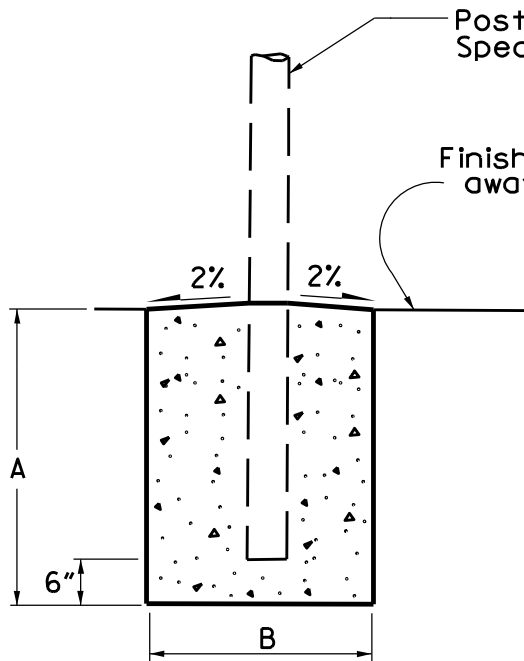
STD. PLAN

Revision: April 2013

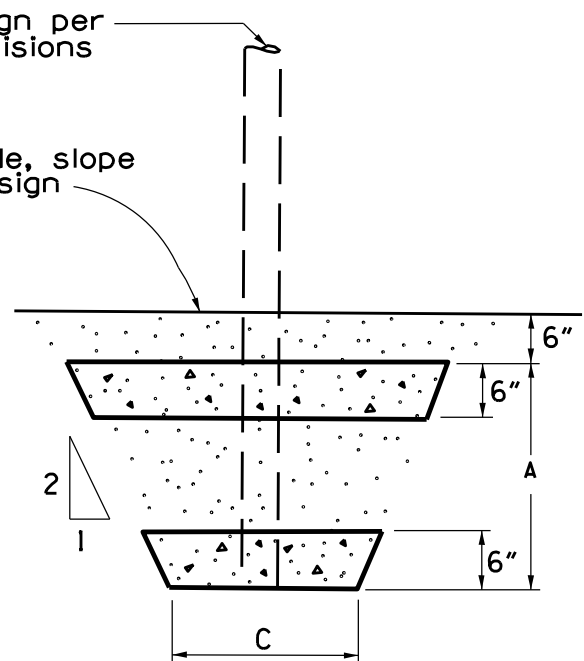
1631

PLAY LOT DRAIN

SHT. 1 OF 1



INSTALLATION
IN COHESIVE SOIL



INSTALLATION
IN NON-COHESIVE SOIL

SIGN AREA	A	B	C
UP TO 4 sf	3'	2'	1'-6"
4 - 8 sf	3'	3'	2'-0"

NOTES:

1. Place concrete against undisturbed earth.
2. Concrete work shall conform to Standard Plan 1803 and strength shall conform to Greenbook 520-C-2500.
3. Wood posts shall be pressure treated select Douglas Fir or redwood. Steel posts shall be hot dip galvanized.
4. Footing may be round or square.
5. Distance from top of sign to finished grade shall not exceed 5 feet.
6. Slope top of cohesive soil footing to drain away from post at 2 percent minimum.
7. Exposed concrete shall be medium broom finish.

COUNTY OF ORANGE, OC PUBLIC WORKS DEPARTMENT

Approved



Ignacio G. Ochoa, Chief Engineer

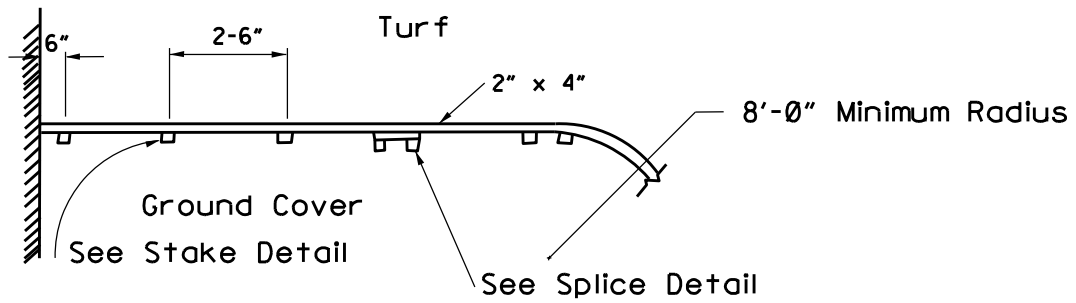
Revision: April 2013

STD. PLAN

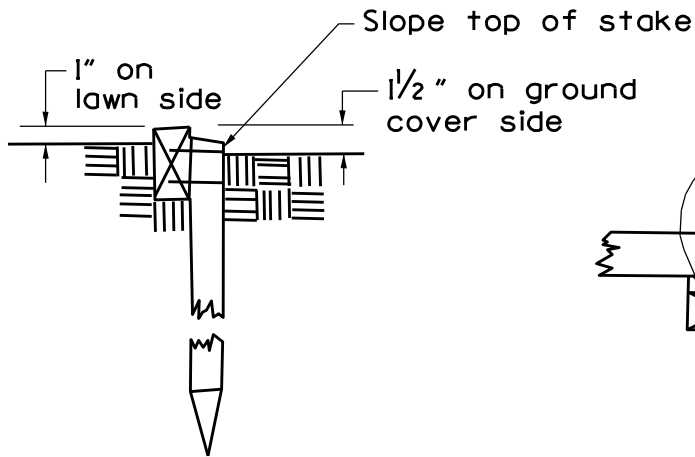
1641

SIGN FOOTING

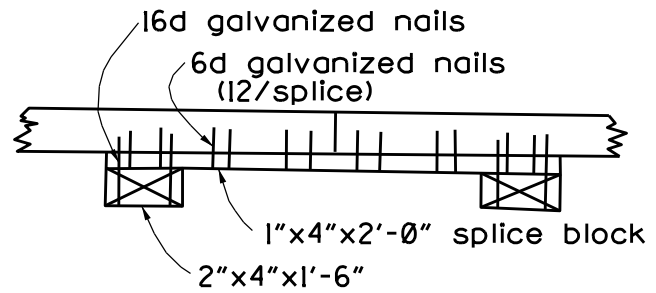
SHT. 1 OF 1



PLAN OF HEADER



STAKE DETAIL



SPLICE DETAIL

NOTES:

1. Headers and stakes shall be redwood, recycled plastic or pressure treated Douglas Fir. Pressure treatment per Greenbook.
2. Use three laminated 1/2 inch by 4 inch boards for curved header boards.
3. Use galvanized fasteners.

COUNTY OF ORANGE, OC PUBLIC WORKS DEPARTMENT

Approved

Ignacio G. Ochoa
Ignacio G. Ochoa, Chief Engineer

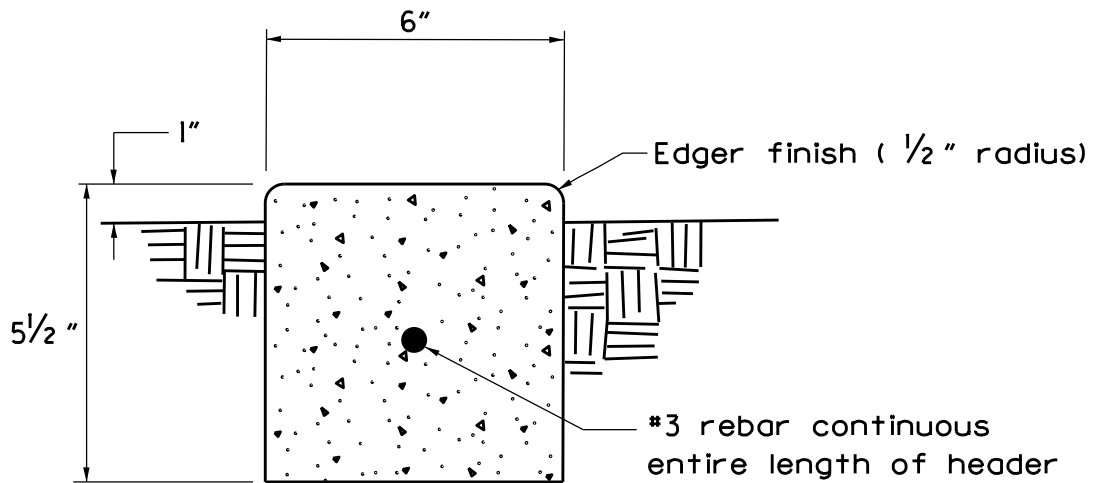
Revision: April 2013

STD. PLAN

1682

HEADER DETAILS

SHT. 1 OF 1



NOTES:

1. Concrete work shall conform to Standard Plan 1803 and strength shall conform to Greenbook 520-C-2500.
2. Provide weakened plane joints at 10 feet maximum spacing and at angle points.

COUNTY OF ORANGE, OC PUBLIC WORKS DEPARTMENT

Approved

[Signature]
 Ignacio G. Ochoa, Chief Engineer

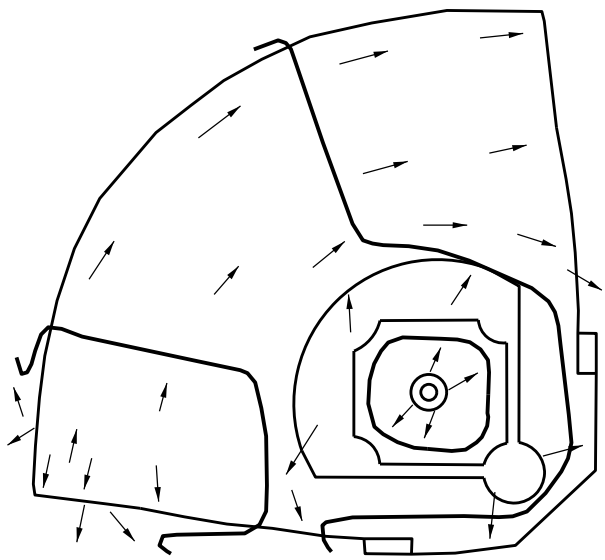
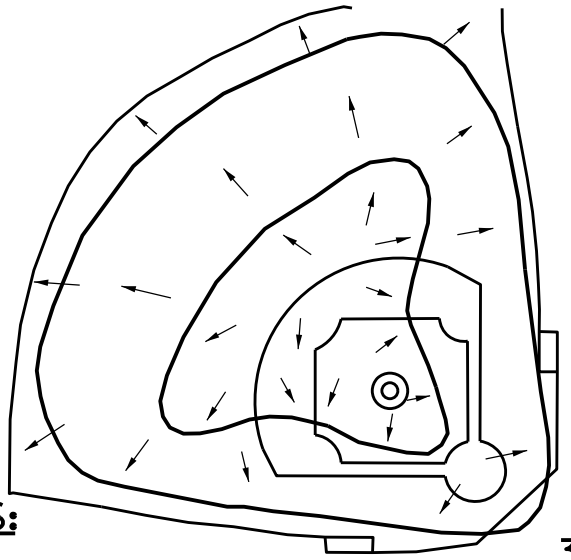
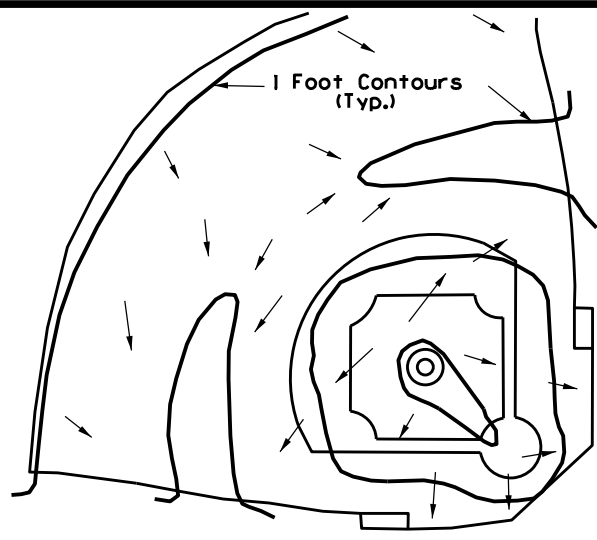
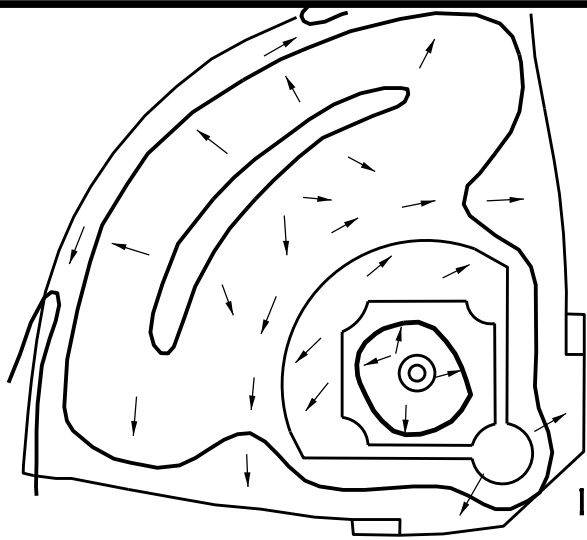
Revision: April 2013

STD. PLAN

1685

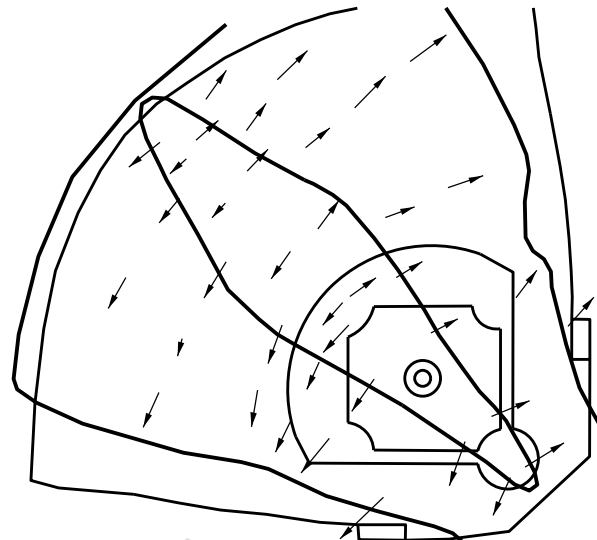
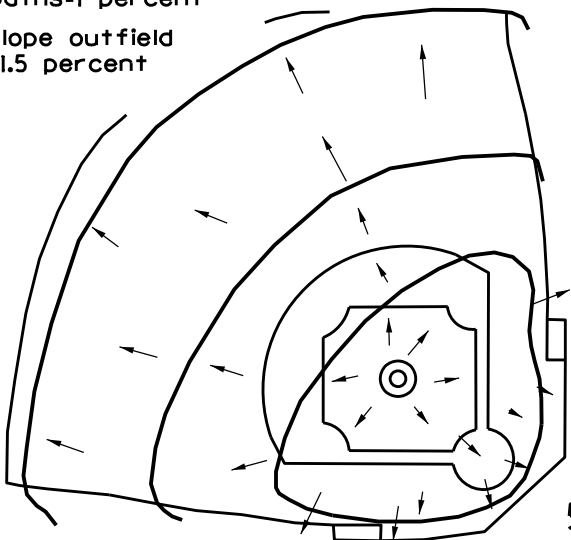
MOW STRIP

SHT. 1 OF 1



NOTES:

- 1. Max. slope infield and base paths=1 percent
- 2. Max. slope outfield areas=1.5 percent



COUNTY OF ORANGE, OC PUBLIC WORKS DEPARTMENT

Approved 
Ignacio G. Ochoa, Chief Engineer

Revision: April 2013

STD. PLAN

1690

BASEBALL DIAMOND DRAINAGE PATTERNS

SHT. 1 OF 1

